

## SKA 400-480

**Features:**

- # Mobile antenna, Mono-band
- # Unity-gain, Omnidirectional
- # Tunable by whip cutting
- # Factory tunable according to specific customer's frequency
- # 17/7 PH stainless steel cylindrical whip
- # 90° inclination and adjustable whip, detachable for car-washes access

**Specifications**

**Electrical Data**

Type ..... 1/4  
 Frequency Range ..... tunable from 400 to 480 MHz  
 Impedance ..... 50 Unbalanced  
 Radiation (H-plane) ..... 360° Omnidirectional  
 Polarization ..... Vertical  
 Gain ..... 0 dB ref. to /4 whip  
 Bandwidth at V.S.W.R. 2:1 ..... 90 MHz at 400 MHz  
 V.S.W.R. at res. freq. .... 1.2: 1 at 400 MHz  
 Max Power ..... 100 Watts  
 Feed System / Position ..... Direct / Base  
 Standard Mount ..... "SL-S"  
 Cable Length / Type ..... 5 m / RG 58

**Mechanical Data**

Materials ... Stainless Steel 17/7 PH, Chromed Brass, Nylon  
 Height (approx.) ..... 210 mm  
 Weight (approx.) ..... 340 gr  
 Mounting Hole ..... 19 mm

code **2206806.34 SKA 400-480**

## SKA 400 1/4

**Features:**

- # Mobile antenna, Mono-band
- # Unity-gain, Omnidirectional
- # 17/7 PH stainless steel cylindrical whip
- # Rigid whip, detachable for car-washes access
- # Magnetic mount version available

**Specifications**

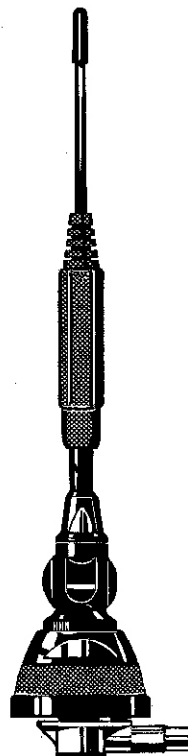
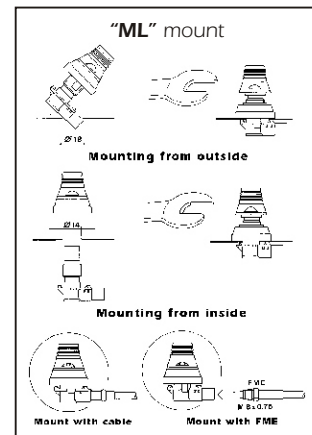
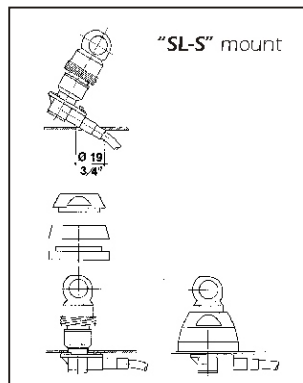
**Electrical Data**

Type ..... 1/4  
 Frequency Range at V.S.W.R. 1.5:1 ..... 415-455 MHz  
 Impedance ..... 50 Unbalanced  
 Radiation (H-plane) ..... 360° Omnidirectional  
 Polarization ..... Vertical  
 Gain ..... 0 dB ref. to /4 whip  
 Bandwidth at V.S.W.R. 2:1 ..... 85 MHz  
 V.S.W.R. at res. freq. .... 1.2: 1  
 Max Power ..... 100 Watts  
 Feed System / Position ..... Direct / Base  
 Standard Mount ..... "ML"  
 Cable Length / Type ..... 5 m / RG 58

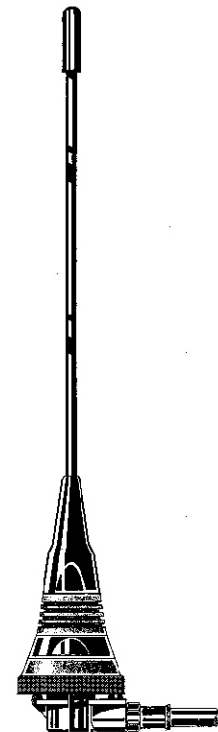
**Mechanical Data**

Materials ... Stainless Steel 17/7 PH, Chromed Brass, Nylon  
 Height (approx.) ..... 180 mm  
 Weight (approx.) ..... 260 gr  
 Mounting Hole ..... 14 or 18 mm

code **2206906.48 SKA 400 1/4**



SKA 400-480



SKA 400 1/4

